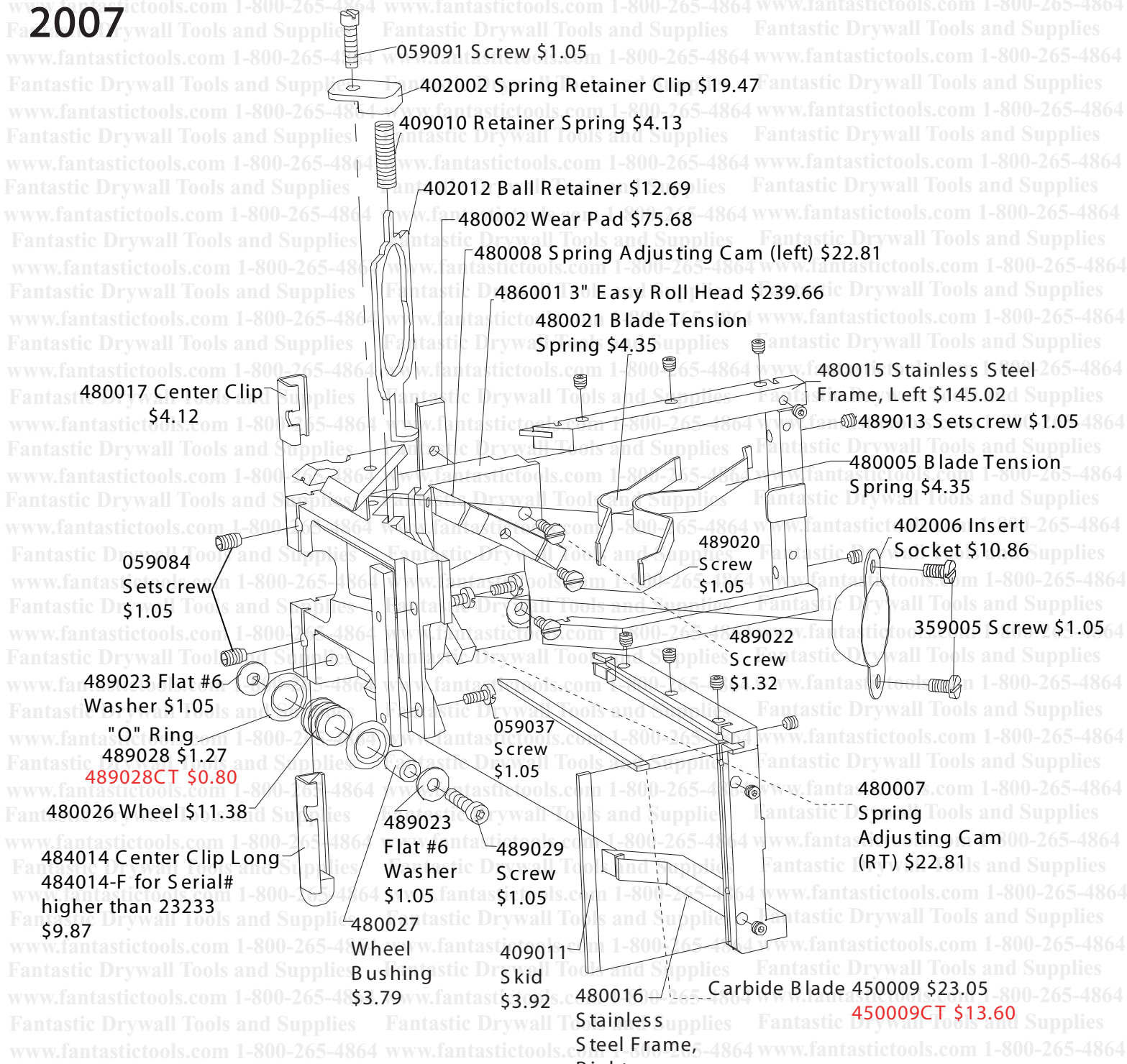


TAPETECH 3" EASY ROLL ANGLE HEAD

Prices subject to change without notice

2007



3" CORNER FINISHER RETAINER KIT 501F48 LIST PRICE: \$33.95

Qty	PART DESCRIPTION	PART NUMBER
1	6-32X1/2 Fillister Head Screw sst	059091
1	SPRING RETAINER	402002F
1	BALL RETAINER (3")	402012
1	RETAINER SPRING (3")	409010
1	Repair Instructions	

3" EZ ROLL CORNER FINISHER BLADE KIT 502F4 LIST PRICE: \$71.45

502F4CT LIST PRICE: \$46.40

Qty	PART DESCRIPTION	PART NUMBER
2	8-32 X 1/4 Setscrew 1/2 Dog SST	059084
2	3" CARBIDE BLADE	450009F
2	SKID	409011
12	4-40 X 1/8 SETSCREW	409013
1	Repair Instructions	

3" EZ ROLL CORNER FINISHER KIT 501-F4A LIST PRICE: \$18.65

Qty	PART DESCRIPTION	PART NUMBER
1	BLADE TENSION SPRING	480005
1	BLADE TENSION SPRING	480021
1	CENTER CLIP	480017F
1	CENTER CLIP ASSY	484014F
1	8-32 x 1/4 Setscrew 1/2 Dog sst	059084
2	6-32 x 1/2 Fillister Head Screw	059091
4	O'Ring	489028